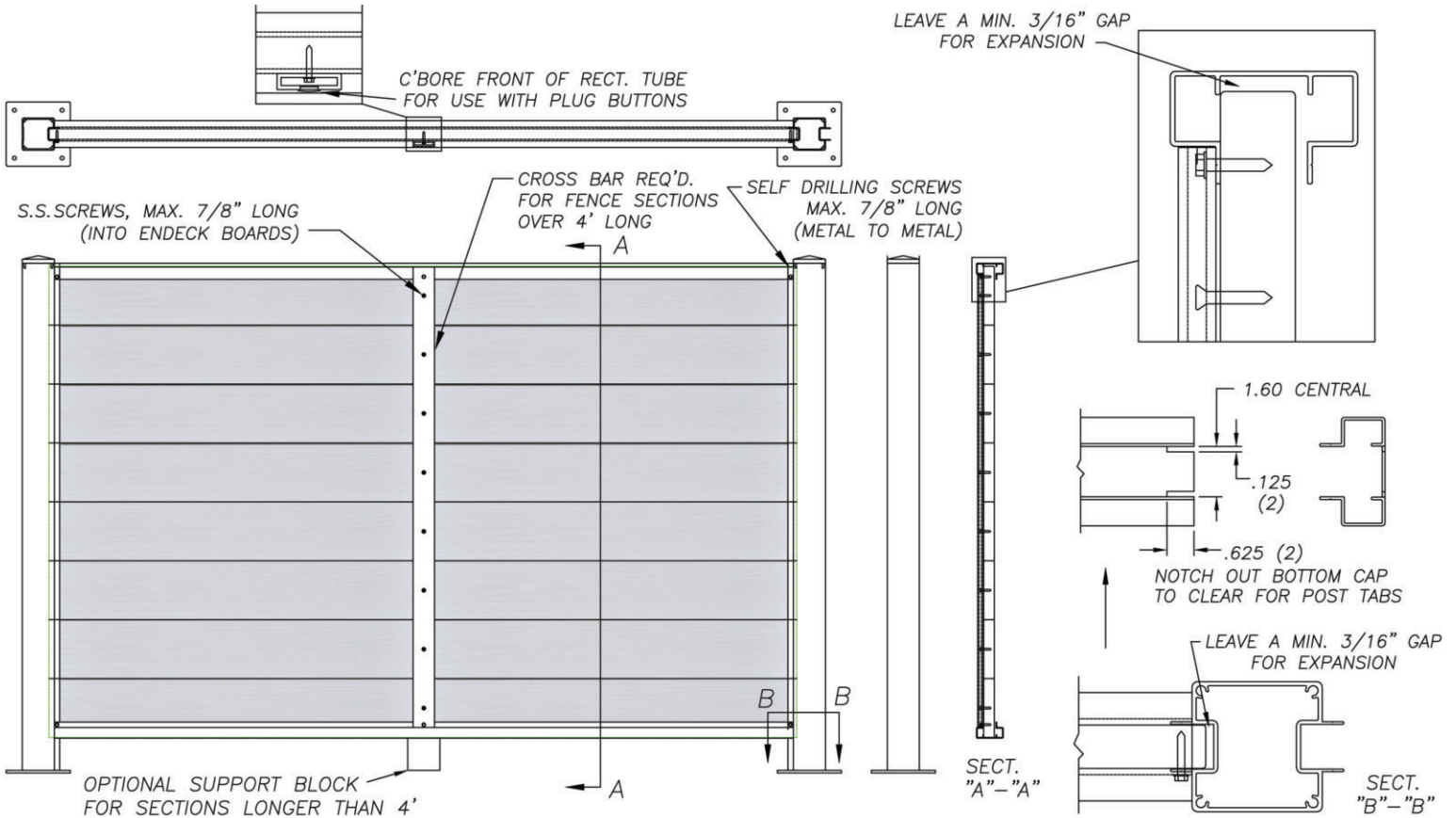


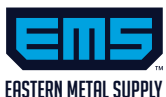
Utilizing ENDECK Deck Boards with the Universal Enclosure System: HORIZONTAL Installation



Endeck's DOUBLE SIDED Boards are great for privacy screens, enclosures, fencing, outdoor installs such as kitchen walls & showers and many other creative projects!

Supports are made with solid aluminum construction for long life and low maintenance. A perfect complement to your Endeck decking project!

View Extruded Aluminum Components and Alternative Inserts on back page.



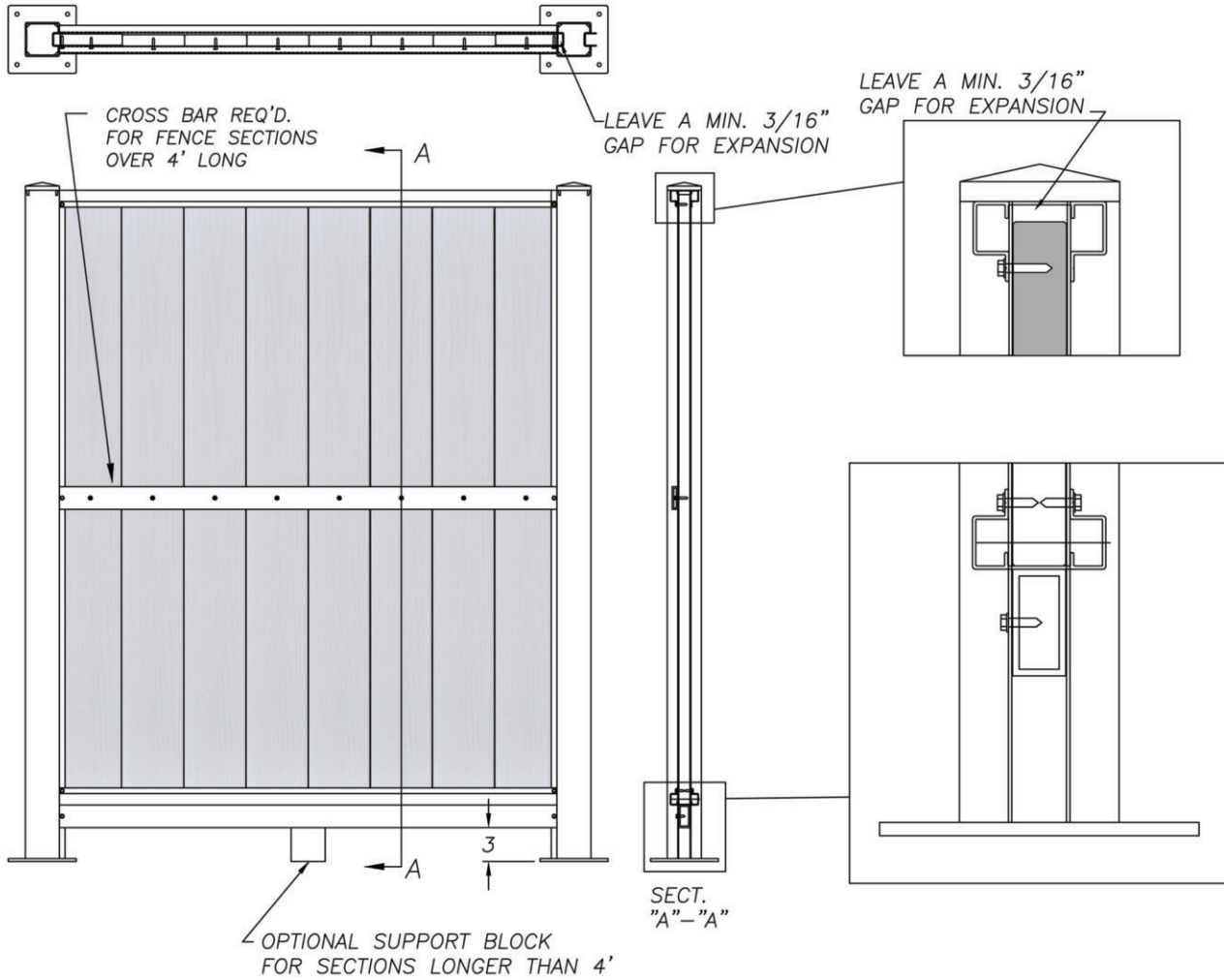
www.easternmetal.com • www.endeck.com
 FL: 800-432-2204 • NC/DE/GA: 800-343-8154 • TX/LA: 800-996-6061 • MO/OH/IN: 888-822-6061

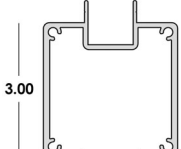
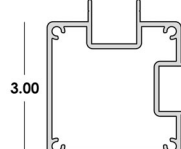
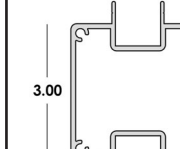
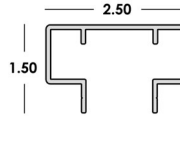
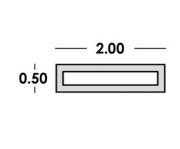
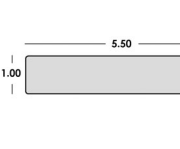
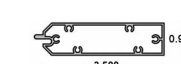
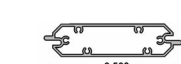
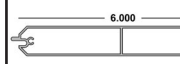
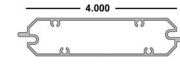

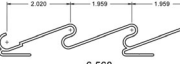
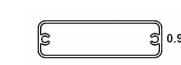
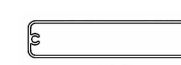
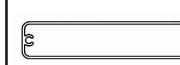
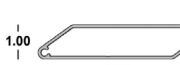
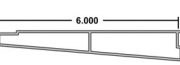



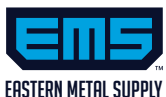
Utilizing ENDECK Deck Boards with the Universal Enclosure System: VERTICAL Installation



ENDECK
PVC DECKING
BY EASTERN METAL SUPPLY



3" Starter Post x 24' 2" 57-63-120 Accepts 1" Inserts 	3" Corner Post x 24' 2" 57-63-130 Accepts 1" Inserts 	3" Inline Post x 24' 2" 57-63-100 Accepts 1" Inserts 	Top Cap x 20' 2" 57-63-110 6063-T6 	1/2" x 2" x 1/8" Rectangular Tube 52-63-13578 	1" x 5.5" PVC ENDECK Deck Boards 
0.938" x 3.5" Tongue & Groove Starter x 24' 40-63-728 	0.938" x 3.5" Tongue & Groove Slat x 24' 40-63-727 SELF MATING 	0.938" x 6" Tongue & Groove Slat x 24' 41-63-729 SELF MATING 	1" x 4" Tongue & Groove Slat x 21' 52-63-7686 SELF MATING 	Vented Wall Panel x 16' 6" 65-63-100 SELF MATING 	2" Fixed Bahama Triple Blade x 12' 41-63-700 SELF MATING 
3" Radius Tube x 24' 40-63-722 	4" Radius Tube x 24' 40-63-724 	5" Radius Tube x 24' 40-63-723 	5" Shadow Box Panel x 24' 56-63-905 	6" Hardy Plank x 24' 40-63-729 SELF MATING 	Woven Wire Mesh 2.00" ID; 2.50" OD Alloy 1350 - H16 



www.easternmetal.com • www.endeck.com

FL: 800-432-2204 • NC/DE/GA: 800-343-8154 • TX/LA: 800-996-6061 • MO/OH/IN: 888-822-6061

